



DEPARTMENT OF REGULATORY AND ECONOMIC RESOURCES (RER)
BOARD AND CODE ADMINISTRATION DIVISION

MIAMI-DADE COUNTY
PRODUCT CONTROL SECTION
11805 SW 26 Street, Room 208
T (786) 315-2590 F (786) 315-2599

www.miamidade.gov/economy

NOTICE OF ACCEPTANCE (NOA)

Regency Plus, Inc.
1024 Locust Gap Highway
Mount Carmel, PA 17851

SCOPE:

This NOA is being issued under the applicable rules and regulations governing the use of construction materials. The documentation submitted has been reviewed and accepted by Miami-Dade County RER - Product Control Section to be used in Miami Dade County and other areas where allowed by the Authority Having Jurisdiction (AHJ).

This NOA shall not be valid after the expiration date stated below. The Miami-Dade County Product Control Section (In Miami Dade County) and/or the AHJ (in areas other than Miami Dade County) reserve the right to have this product or material tested for quality assurance purposes. If this product or material fails to perform in the accepted manner, the manufacturer will incur the expense of such testing and the AHJ may immediately revoke, modify, or suspend the use of such product or material within their jurisdiction. RER reserves the right to revoke this acceptance, if it is determined by Miami-Dade County Product Control Section that this product or material fails to meet the requirements of the applicable building code.

This product is approved as described herein, and has been designed to comply with the Florida Building Code, including the High Velocity Hurricane Zone.

DESCRIPTION: Series "5405" White PVC Horizontal Sliding Window – L.M.I.

APPROVAL DOCUMENT: Drawing No. RPLS0063, titled "Impact Series 5405 Horizontal Slider Window", sheets 1 through 5 of 5, dated 11/26/08, with revision E dated 12/07/13, prepared by PTC Product Design Group, LLC, signed and sealed by Robert J. Amoruso, P.E., bearing the Miami-Dade County Product Control Revision stamp with the Notice of Acceptance number and expiration date by the Miami-Dade County Product Control Section.

MISSILE IMPACT RATING: Large and Small Missile Impact Resistant

LABELING: Each unit shall bear a permanent label with the manufacturer's name or logo, city, state, model/series, and following statement: "Miami-Dade County Product Control Approved", unless otherwise noted herein.

RENEWAL of this NOA shall be considered after a renewal application has been filed and there has been no change in the applicable building code negatively affecting the performance of this product.

TERMINATION of this NOA will occur after the expiration date or if there has been a revision or change in the materials, use, and/or manufacture of the product or process. Misuse of this NOA as an endorsement of any product, for sales, advertising or any other purposes shall automatically terminate this NOA. Failure to comply with any section of this NOA shall be cause for termination and removal of NOA.

ADVERTISEMENT: The NOA number preceded by the words Miami-Dade County, Florida, and followed by the expiration date may be displayed in advertising literature. If any portion of the NOA is displayed, then it shall be done in its entirety.

INSPECTION: A copy of this entire NOA shall be provided to the user by the manufacturer or its distributors and shall be available for inspection at the job site at the request of the Building Official.

This NOA revises and renews NOA # 12-0223.09 and consists of this page 1 and evidence pages E-1 and E-2, as well as approval document mentioned above.

The submitted documentation was reviewed by Manuel Perez, P.E.



MP
3/13/14

NOA No. 14-0128.06
Expiration Date: July 22, 2019
Approval Date: March 20, 2014
Page 1

NOTICE OF ACCEPTANCE: EVIDENCE SUBMITTED

A. DRAWINGS

1. Manufacturer's die drawings and sections.
2. Drawing No **RPLS0063**, Sheets 1 through 5 of 5, titled "Impact Series 5405 Horizontal Slider Window", dated 11/26/08, with revision E dated 12/07/13, prepared by PTC Product Design Group, LLC, signed and sealed by Robert J. Amoruso, P.E.

B. TESTS

1. Test reports on:
 - 1) Air Infiltration Test, per FBC, TAS 202-94
 - 2) Uniform Static Air Pressure Test, Loading per FBC TAS 202-94
 - 3) Water Resistance Test, per FBC, TAS 202-94
 - 4) Large Missile Impact Test per FBC, TAS 201-94
 - 5) Cyclic Wind Pressure Loading per FBC, TAS 203-94
 - 6) Forced Entry Test, per FBC 2411 3.2.1, TAS 202-94along with marked-up drawings and installation diagram of a white PVC horizontal sliding window, prepared by National Certified Testing Laboratories, Test Report No. **NTCL-110-11507-1**, dated 08/18/08, revised 09/03/08, with addendum letters dated 03/31/09 and 05/01/09, all signed and sealed by Harold Rupp, P.E.
(Submitted under NOA# 08-1210.12)

C. CALCULATIONS

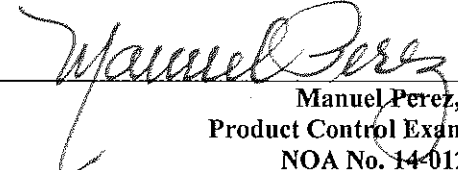
1. Anchor verification calculations and structural analysis, complying with FBC-2007, dated 11/24/08, prepared by PTC Product Design Group, LLC, signed and sealed by Robert J. Amoruso, P.E.
(Submitted under NOA# 08-1210.12)
2. Glazing complies with ASTM E1300-04

D. QUALITY ASSURANCE

1. Miami-Dade Department of Regulatory and Economic Resources (RER).

E. MATERIAL CERTIFICATIONS

1. Notice of Acceptance No. **13-0129.27** issued to **E.I. DuPont DeNemours & Co., Inc.** for their "**DuPont Butacite® PVB Interlayer**" dated 04/11/13, expiring on 12/11/16.
2. Notice of Acceptance No. **12-1120.02**, issued to **Royal Window and Door Profiles, Plant 13**, for their **White Rigid PVC Exterior Extrusions for Windows and Doors**, approved on 02/28/13, expiring on 02/28/18.


Manuel Perez, P.E.
Product Control Examiner
NOA No. 14-0128.06
Expiration Date: July 22, 2019
Approval Date: March 20, 2014

Regency Plus, Inc.

NOTICE OF ACCEPTANCE: EVIDENCE SUBMITTED

F. STATEMENTS

1. Statement letter of conformance, complying with **FBC-2010**, and of no financial interest, dated February 07, 2012, signed and sealed by Robert J. Amoruso, P.E. *(Submitted under previous NOA# 12-0223.09)*

G. OTHER

1. Notice of Acceptance No. *12-0223.09*, issued to Regency Plus, Inc. for their Series "5405" White PVC Horizontal Sliding Window – L.M.I., approved on 04/19/12 and expiring on 07/22/14.



Manuel Perez, P.E.
Product Control Examiner
NOA No. 14-0128.06
Expiration Date: July 22, 2019
Approval Date: March 20, 2014

REGENCY PLUS, INC.

IMPACT SERIES 5405 HORIZONTAL SLIDER WINDOW - LMI

INSTALLATION ANCHORAGE DETAILS

GENERAL NOTES:

1. THE PRODUCT ANCHORAGE SHOWN HEREIN IS DESIGNED TO COMPLY WITH THE 2007 AND 2010 FLORIDA BUILDING CODE (FBC) INCLUDING THE HIGH VELOCITY HURRICANE ZONE (HVHZ) AT THE DESIGN PRESSURE(S) STATED HEREIN.
2. THE PRODUCT DETAILS CONTAINED HEREIN ARE BASED UPON SIGNED AND SEALED TEST REPORT # NCTL-110-11507-1 DATED 08/20/08 AND ASSOCIATED LABORATORY STAMPED DRAWINGS AND WERE TESTED IN ACCORDANCE WITH CURRENT DADE COUNTY PROTOCOLS.
3. THE PRODUCT HAS BEEN EVALUATED FOR CONFORMANCE TO THE STANDARDS LISTED IN THE 2007 AND 2010 FLORIDA BUILDING CODE (FBC) AND IS IN COMPLIANCE WITH SAID STANDARDS, INCLUDING HIGH VELOCITY HURRICANE ZONE (HVHZ) REQUIREMENTS.
4. ADEQUACY OF THE EXISTING STRUCTURAL CONCRETE MASONRY AND 2X FRAMING AS A MAIN WIND FORCE RESISTING SYSTEM CAPABLE OF WITHSTANDING AND TRANSFERRING APPLIED PRODUCT LOADS TO THE STRUCTURE IS THE RESPONSIBILITY OF THE ENGINEER OR ARCHITECT OF RECORD.
5. 1X AND 2X BUCKS (WHEN USED) SHALL BE DESIGNED AND ANCHORED TO PROPERLY TRANSFER ALL LOADS TO THE STRUCTURE. BUCK DESIGN AND INSTALLATION IS THE RESPONSIBILITY OF THE ENGINEER OR ARCHITECT OF RECORD.
6. THE INSTALLATION DETAILS DESCRIBED HEREIN ARE GENERIC AND MAY NOT REFLECT ACTUAL CONDITIONS FOR A SPECIFIC SITE. IF SITE CONDITIONS CAUSE INSTALLATION TO DEVIATE FROM THE REQUIREMENTS DETAILED HEREIN, THEN THE BUILDING OFFICIAL MAY ELECT ONE OF THE FOLLOWING OPTIONS:
 - A. OUTSIDE HVHZ: REQUIRE THAT A LICENSED ENGINEER OR ARCHITECT PREPARE AND SUBMIT SITE SPECIFIC DOCUMENTS FOR USE WITH THIS DOCUMENT.
 - B. INSIDE HVHZ: REQUIRE THAT A ONE-TIME SITE SPECIFIC APPROVAL BE APPLIED FOR AND OBTAINED FROM THE MIAMI-DADE COUNTY PRODUCT CONTROL DIVISION.

7. WINDOW FRAME MATERIAL: RIGID VINYL PVC PER NOA # 12-1120.02.
8. EACH WINDOW ASSEMBLY SHALL BE LABELED WITH A PERMANENT LABEL AND/OR STAMP WITH THE EXTRUDER CODE AND "MDCA" AS STATED IN N.O.A. NO. 07-1016.05.
9. GLASS MEETS THE REQUIREMENTS OF ASTM E1300-04e1.
10. DESIGNATIONS "X" AND "O" STAND FOR THE FOLLOWING:
X: OPERABLE PANEL
O: FIXED PANEL
11. A 1/3 INCREASE IN ALLOWABLE STRESS FOR WIND LOADS WAS NOT USED IN THE DESIGN OF THE PRODUCT(S) SHOWN HEREIN. WIND LOAD DURATION FACTOR (Cd = 1.6) HAS BEEN USED FOR WOOD ANCHOR DESIGN.
12. IN AREAS WHERE WIND-BORNE DEBRIS PROTECTION REQUIREMENTS EXIST, USE OF AN APPROVED IMPACT PROTECTIVE SYSTEM IS NOT NEEDED.

INSTALLATION NOTES:

1. ONE (1) INSTALLATION ANCHOR IS REQUIRED AT EACH ANCHOR LOCATION SHOWN.
2. THE NUMBER OF INSTALLATION ANCHORS DEPICTED IS THE MINIMUM NUMBER OF ANCHORS TO BE USED FOR PRODUCT INSTALLATION.
3. SHIM AS REQUIRED AT EACH INSTALLATION ANCHOR THRU MAIN FRAME WITH LOAD BEARING SHIM(S). MAXIMUM ALLOWABLE SHIM SIZE IS 1/4 INCH. SHIM WHERE SPACE OF 1/16 INCH OR GREATER OCCURS. SHIM(S) SHALL BE CONSTRUCTED OF HIGH DENSITY PLASTIC OR BETTER.
4. FOR INSTALLATION INTO WOOD FRAMING, USE #12 WOOD SCREWS OF SUFFICIENT LENGTH TO ACHIEVE 1 1/2 INCH MINIMUM EMBEDMENT. MINIMUM EDGE DISTANCE IS 7/8 INCH.
5. FOR INSTALLATION THROUGH 1X BUCK TO CONCRETE / MASONRY, OR DIRECTLY INTO CONCRETE / MASONRY, USE 1/4 INCH ITW TAPCONS OF SUFFICIENT LENGTH TO ACHIEVE 1 1/4 INCH MINIMUM EMBEDMENT. MINIMUM EDGE DISTANCE IS 2-1/2 INCHES.
6. FOR PARTING STOP INSTALLATION USE #8 X 1 1/2 INCH DRYWALL SCREWS.
7. MINIMUM EMBEDMENT AND EDGE DISTANCE EXCLUDE WALL FINISHES, INCLUDING BUT NOT LIMITED TO STUCCO, FOAM, BRICK VENEER AND SIDING.
8. INSTALLATION ANCHORS AND ASSOCIATED HARDWARE MUST BE MADE OF CORROSION RESISTANT MATERIAL OR HAVE A CORROSION RESISTANT COATING.
9. FOR HOLLOW BLOCK AND GROUT FILLED BLOCK, DO NOT INSTALL INSTALLATION ANCHORS INTO MORTAR JOINTS. EDGE DISTANCE IS MEASURED FROM FREE EDGE OF BLOCK OR EDGE OF MORTAR JOINT INTO FACE SHELL OF BLOCK.
10. INSTALLATION ANCHORS SHALL BE INSTALLED IN ACCORDANCE WITH ANCHOR MANUFACTURER'S INSTALLATION INSTRUCTIONS AND ANCHORS SHALL NOT BE USED IN SUBSTRATES WITH STRENGTHS LESS THAN THE MINIMUM STRENGTH SPECIFIED BY THE ANCHOR MANUFACTURER.
11. INSTALLATION ANCHOR CAPACITIES FOR PRODUCTS HEREIN ARE BASED ON SUBSTRATE MATERIALS WITH THE FOLLOWING PROPERTIES:
 - A. WOOD PT SOUTHERN YELLOW PINE - MINIMUM SPECIFIC GRAVITY IS 0.55. LUMBER MUST COMPLY WITH FBC SECTIONS 2411.3.3.3 AND 2326.2 AS TO WOOD PROTECTION.
 - B. CONCRETE -MINIMUM COMPRESSIVE STRENGTH OF 3192 psi AND CONFORMS TO ACI 301.
 - C. MASONRY - STRENGTH TO CONFORM TO ASTM C-90.

TABLE OF CONTENTS		
SHEET	REV.	SHEET DESCRIPTION
1	E	GENERAL AND INSTALLATION NOTES
2	E	ELEVATION AND ANCHOR LAYOUTS
3	E	VERTICAL SECTIONS
4	E	HORIZONTAL SECTIONS, GLAZING DETAIL & CORNER DETAIL
5	E	CORNER DETAIL
6	E	COMPONENTS AND BILL OF MATERIALS

DESIGN PRESSURE RATING (PSF)	IMPACT RATING
±55.0	LARGE MISSILE IMPACT

PROJECT #413-1019			
E	REVISE PVC MANUF. AND NOA NO.	12/7/13	RJA
D	UPDATE TO 2010 FBC	02/07/12	TJH
C	CORRECT GLAZING DETAILS	11/21/11	TJH
REV	DESCRIPTION	DATE	BY

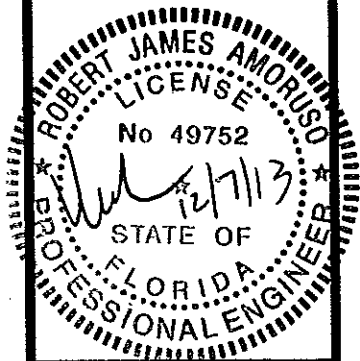
REGENCY PLUS, INC.
1024 LOCUST GAP HIGHWAY
MT. CARMEL, PA 17851

TITLE: IMPACT SERIES 5405 HORIZONTAL SLIDER WINDOW
GENERAL AND INSTALLATION NOTES

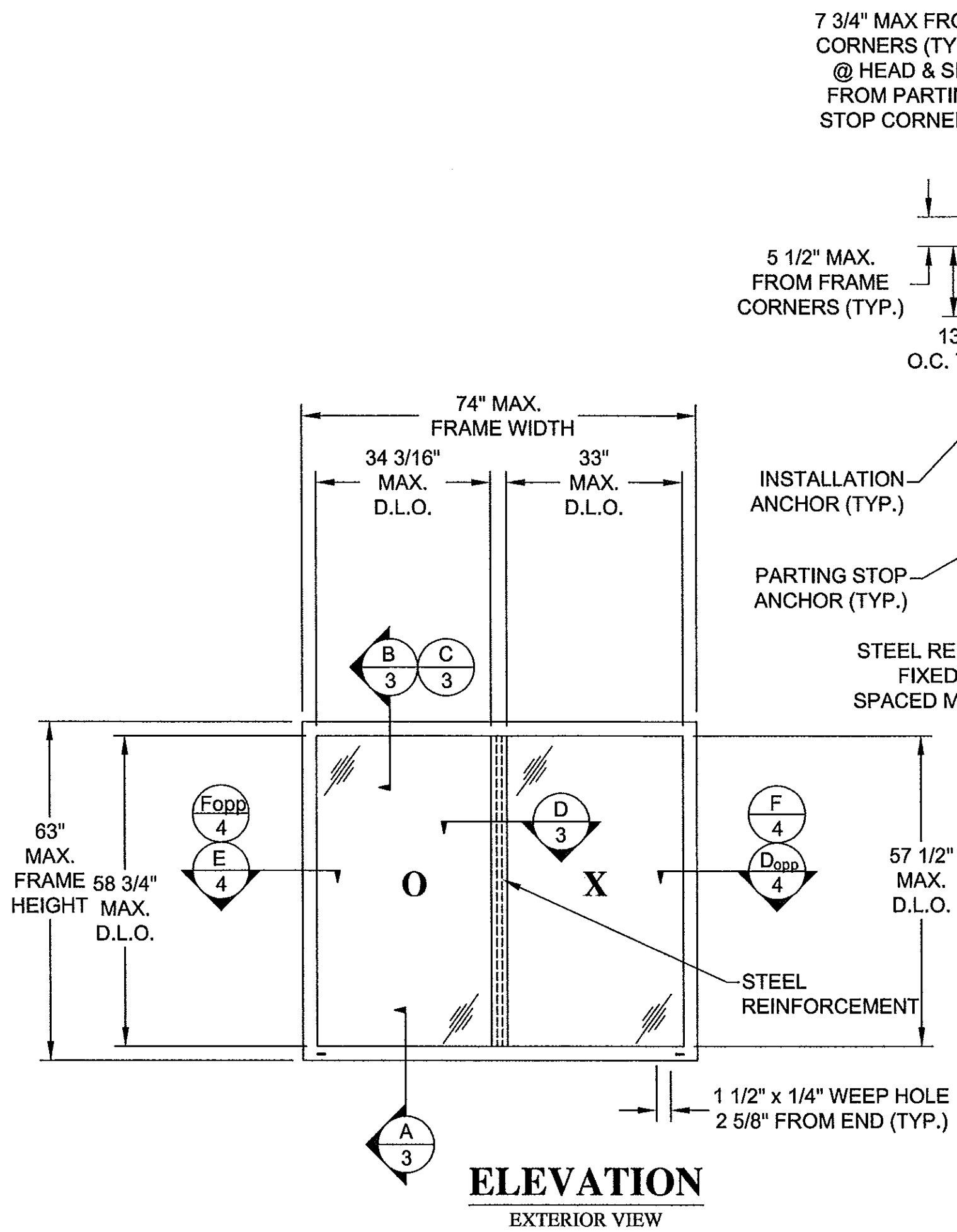
DRAWN BY: SMC DATE: 11/26/08
SCALE: N.T.S. DRAWING NO: RPLS0063
REV: E SHEET: 1 OF 6

PTC Product Design Group, LLC
PO Box 520775, Longwood, FL 32752-0775
321-680-1788 info@ptc-corp.com
FBPE Cert. of Auth. No. 25995

Robert J. Amoroso, P.E.
Florida P.E. No. 49752



PRODUCT REVISED as complying with the Florida Building Code
Acceptance No. 14-0125-06
Expiration Date: July 27, 2014
By: *Manuel Perez*
Miami Dade Product Control



ANCHOR LAYOUT
EXTERIOR VIEW

ELEVATION
EXTERIOR VIEW

PROJECT #413-1019			
REVISE PVC MANUF. AND NOA NO.	12/7/13	RJA	BY
UPDATE TO 2010 FBC	02/07/12	TJH	DATE
CORRECT GLAZING DETAILS	11/21/11	TJH	DATE
REV			

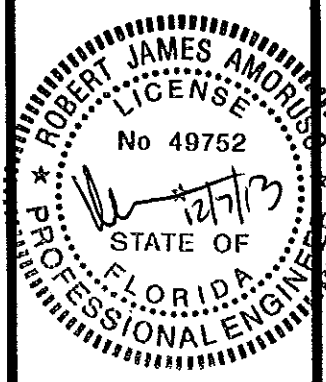
REGENCY PLUS, INC.
1024 LOCUST GAP HIGHWAY
MT. CARMEL, PA 17851

TITLE: IMPACT SERIES 5405 HORIZONTAL SLIDER WINDOW
ELEVATION AND ANCHOR LAYOUT

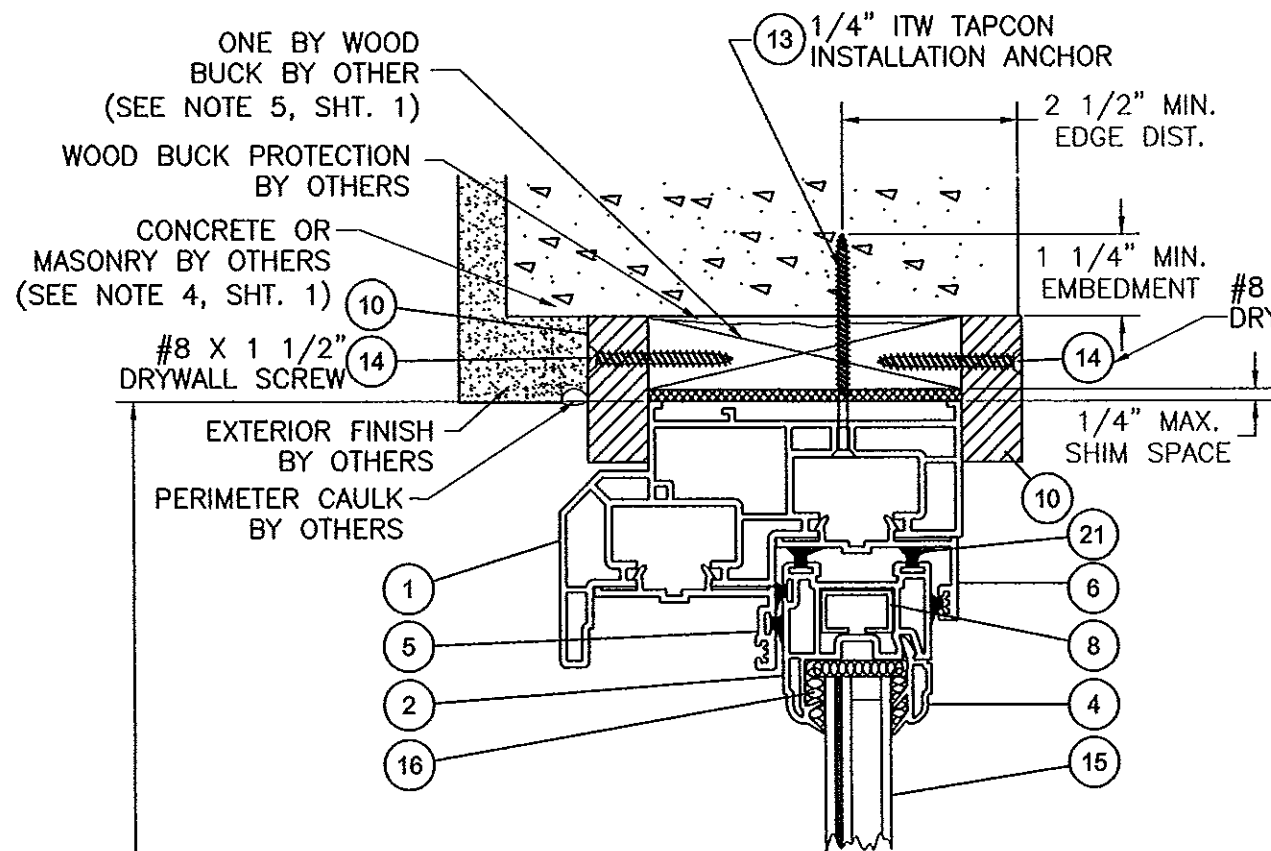
DRAWN BY: SMC
DATE: 11/26/08
SCALE: N.T.S.
DRAWING NO: RPLS0063
SHEET: 2 OF 6

PTC Product Design Group, LLC
PO Box 520775, Longwood, FL 32752-0775
321-690-1788 info@pdc-corp.com
FBPE Cert. of Auth. No. 25935

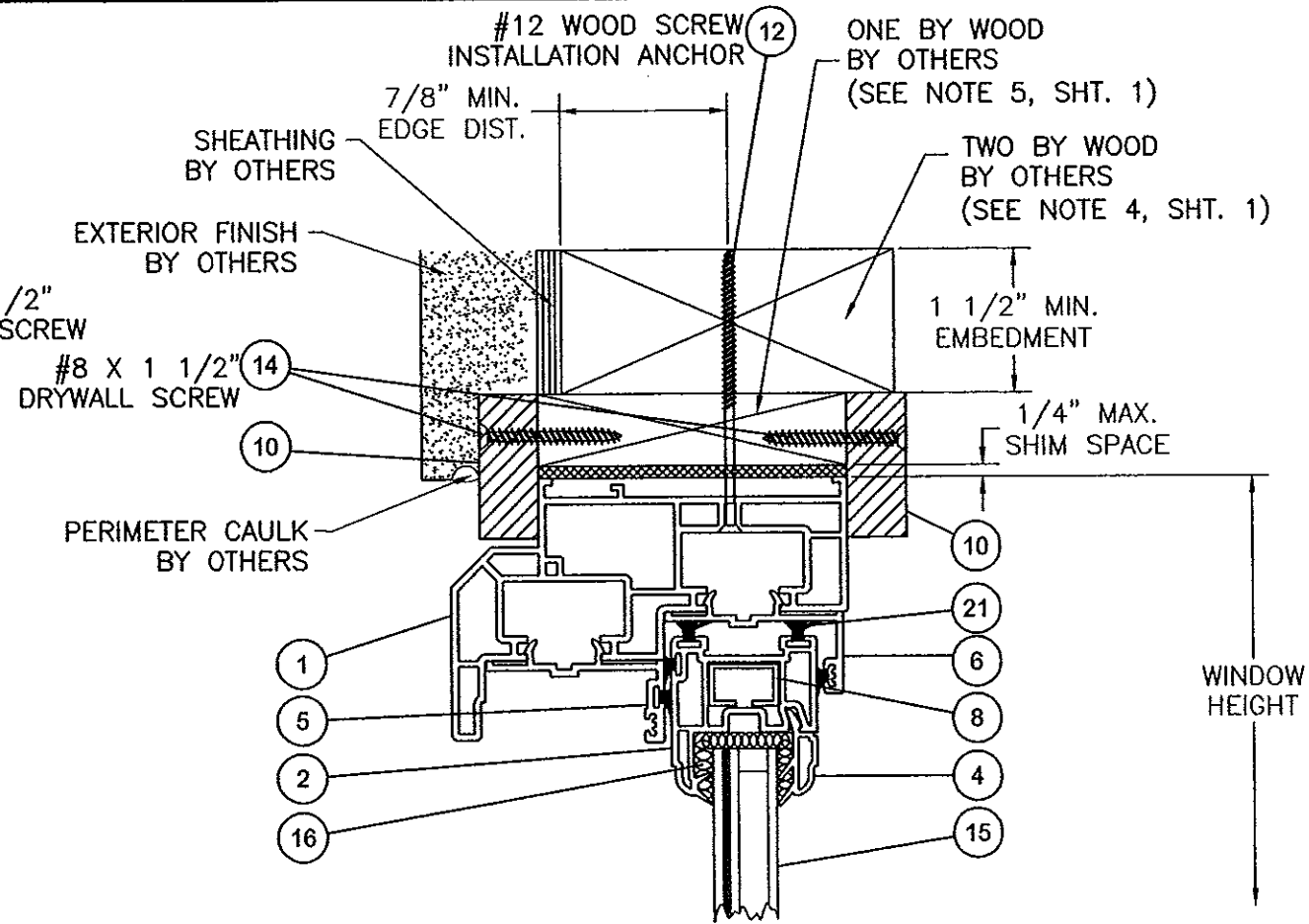
Robert J. Amoruso, P.E.
Florida P.E. No. 49752



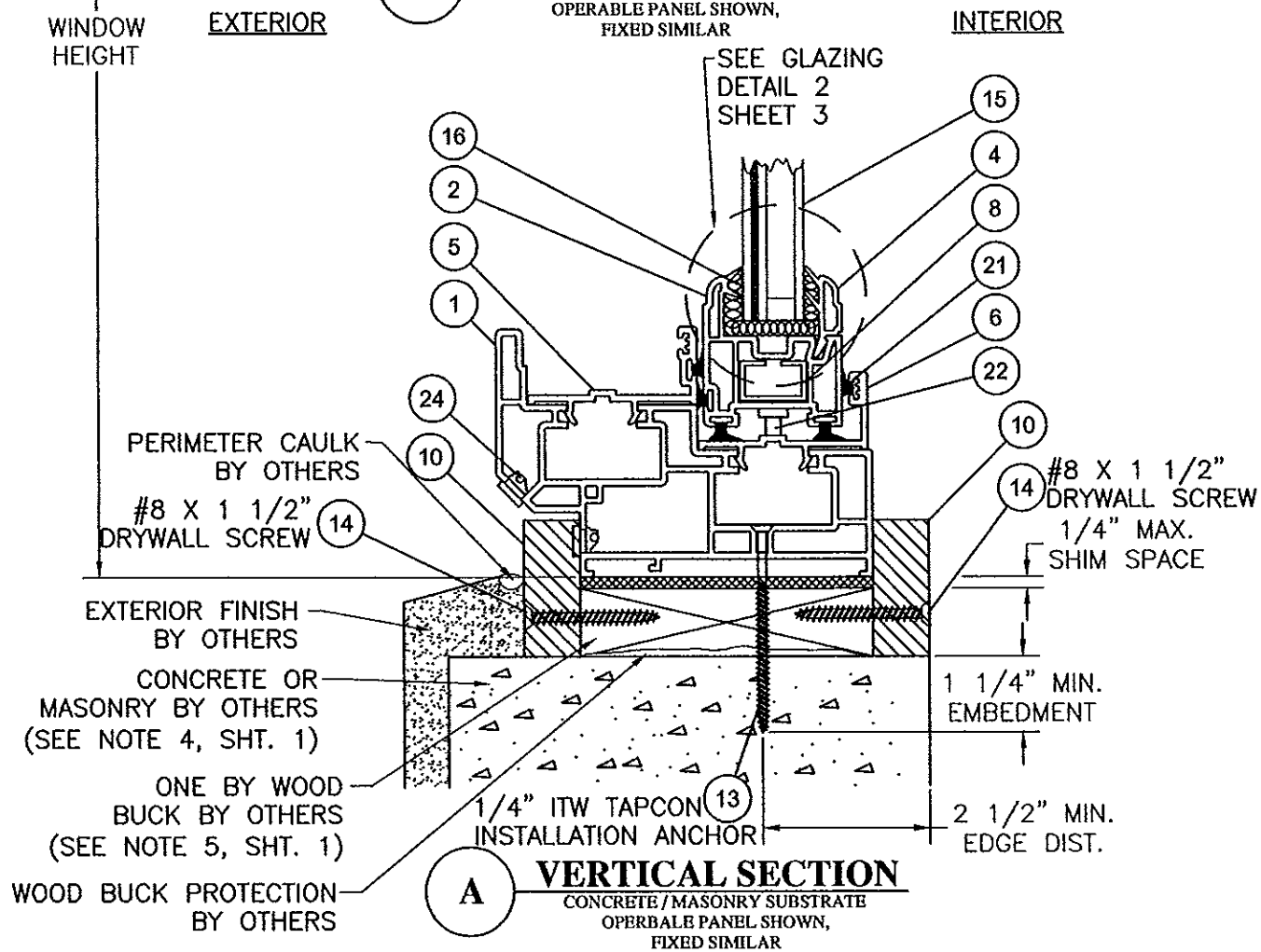
PRODUCT REVISED as complying with the Florida Building Code
Acceptance No. 14-0128-06
Expiration Date July 22, 2019
By *Manuel Perez*
Miami Dade Product Control



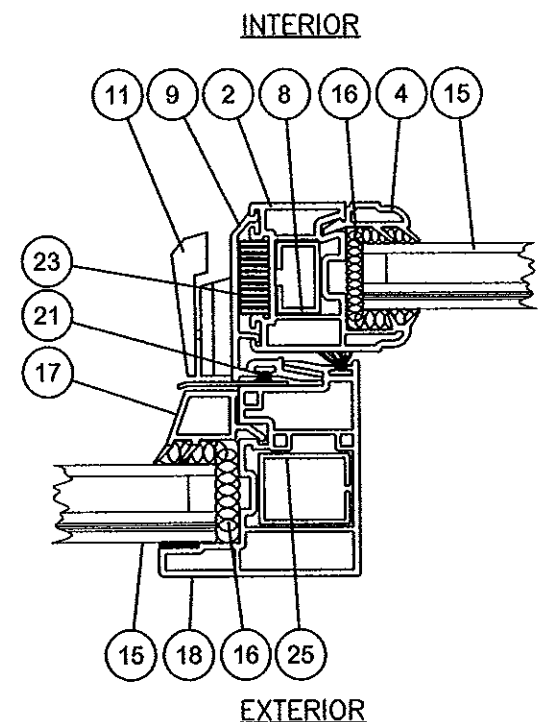
B VERTICAL SECTION
CONCRETE/MASONRY SUBSTRATE
OPERABLE PANEL SHOWN,
FIXED SIMILAR



C VERTICAL SECTION
WOOD SUBSTRATE
OPERABLE PANEL SHOWN,
FIXED SIMILAR



A VERTICAL SECTION
CONCRETE/MASONRY SUBSTRATE
OPERABLE PANEL SHOWN,
FIXED SIMILAR

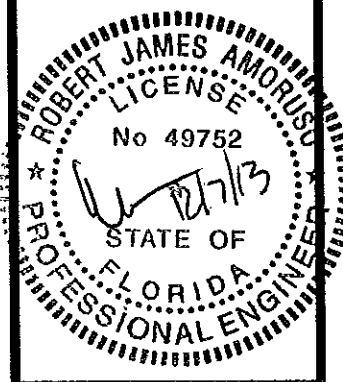


D HORIZONTAL SECTION

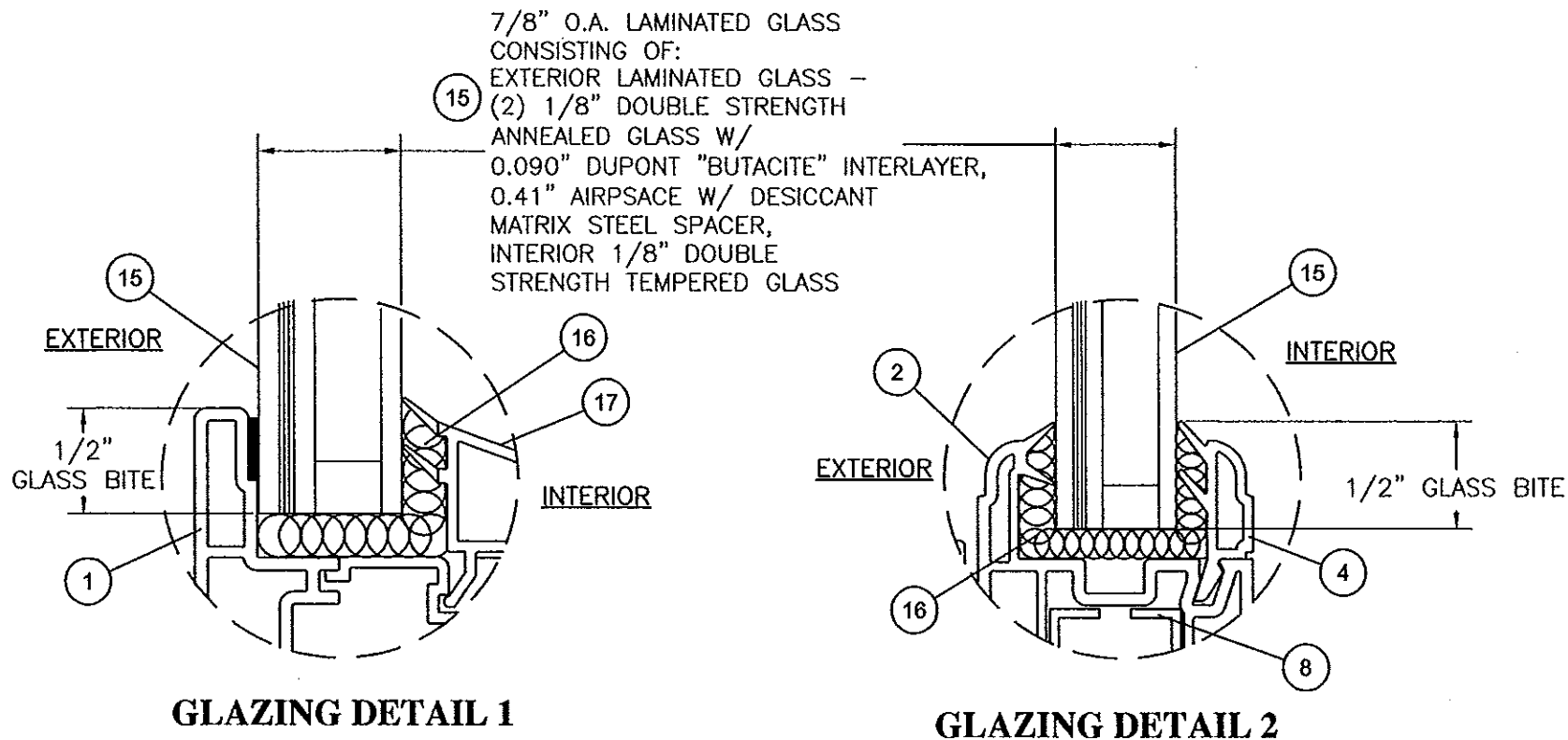
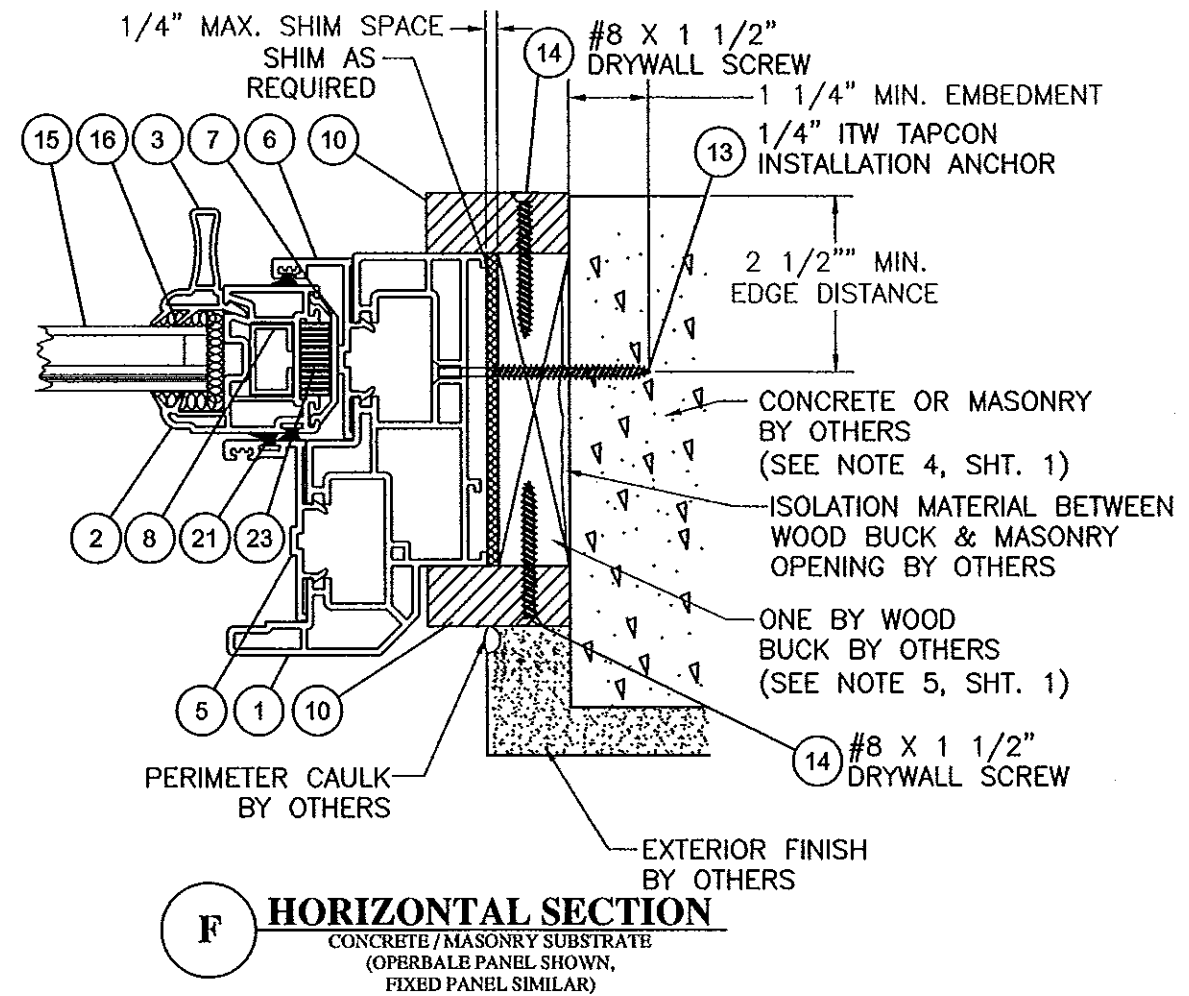
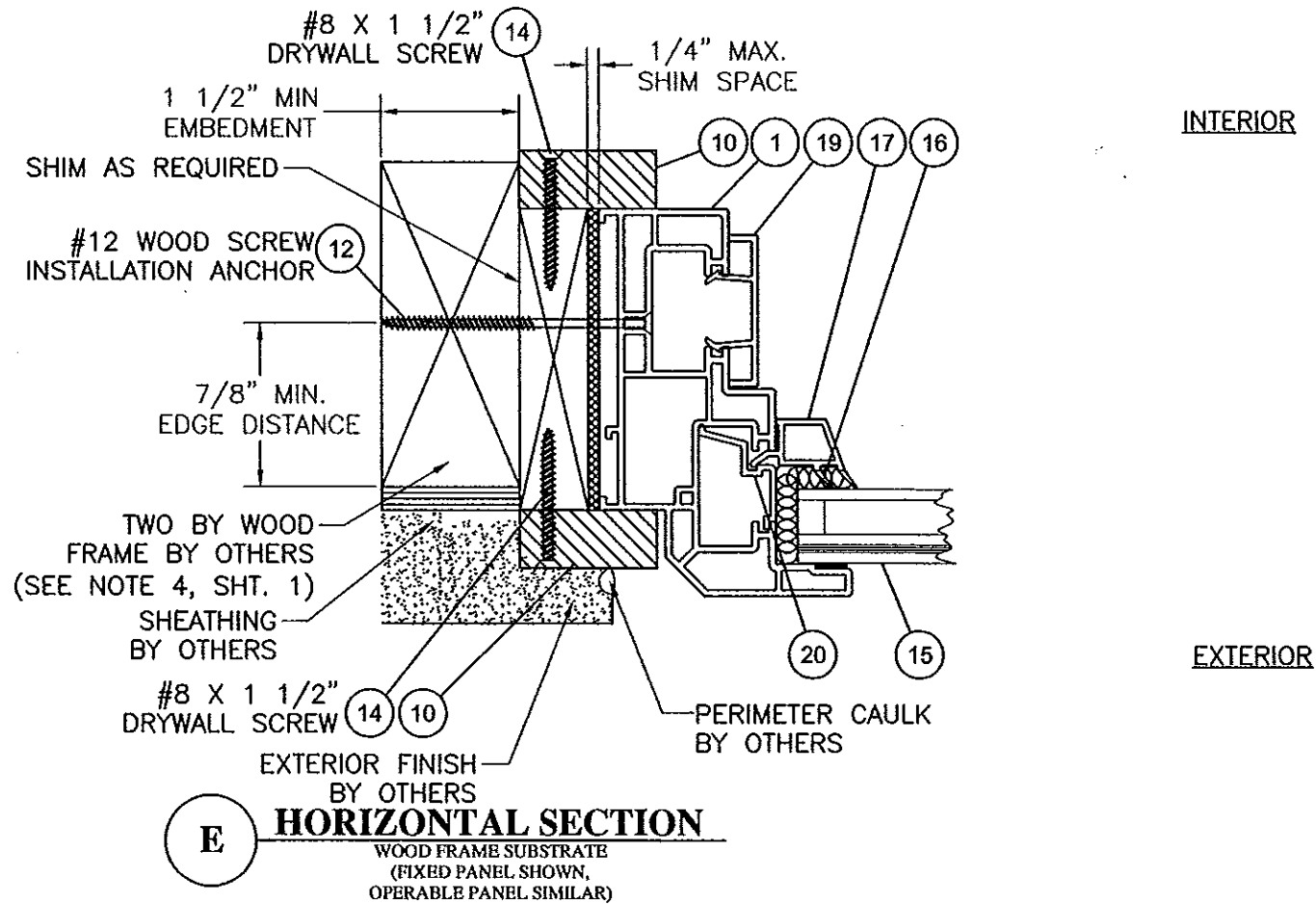
PROJECT #413-1019		RJA	TJH	BY
REVISE PVC MANUF. AND NOA NO.	12/7/13	02/07/12	11/21/11	DATE
UPDATE TO 2010 FBC	E	D	C	REV
CORRECT GLAZING DETAILS				DESCRIPTION

REGENCY PLUS, INC. 1024 LOCUST GAP HIGHWAY MT. CARMEL, PA 17851	DATE: 11/26/08	DRAWING NO: RPLS0063	SHEET: 3 OF 6
TITLE: IMPACT SERIES 5405 HORIZONTAL SLIDER WINDOW VERTICAL SECTIONS	DRAWN BY: SMC	SCALE: N.T.S.	REV: E
PTC Product Design Group, LLC PO Box 520775, Longwood, FL 32752-0775 321-590-1788 info@ptc-corp.com FBPE Cert. of Auth. No. 25935			

Robert J. Amoruso, P.E.
Florida P.E. No. 49752



PRODUCT REVISED
as complying with the Florida
Building Code
Acceptance No. 14-0120-06
Expiration Date July 22, 2019
By *Manuel Jara*
Miami/Dade Product Control

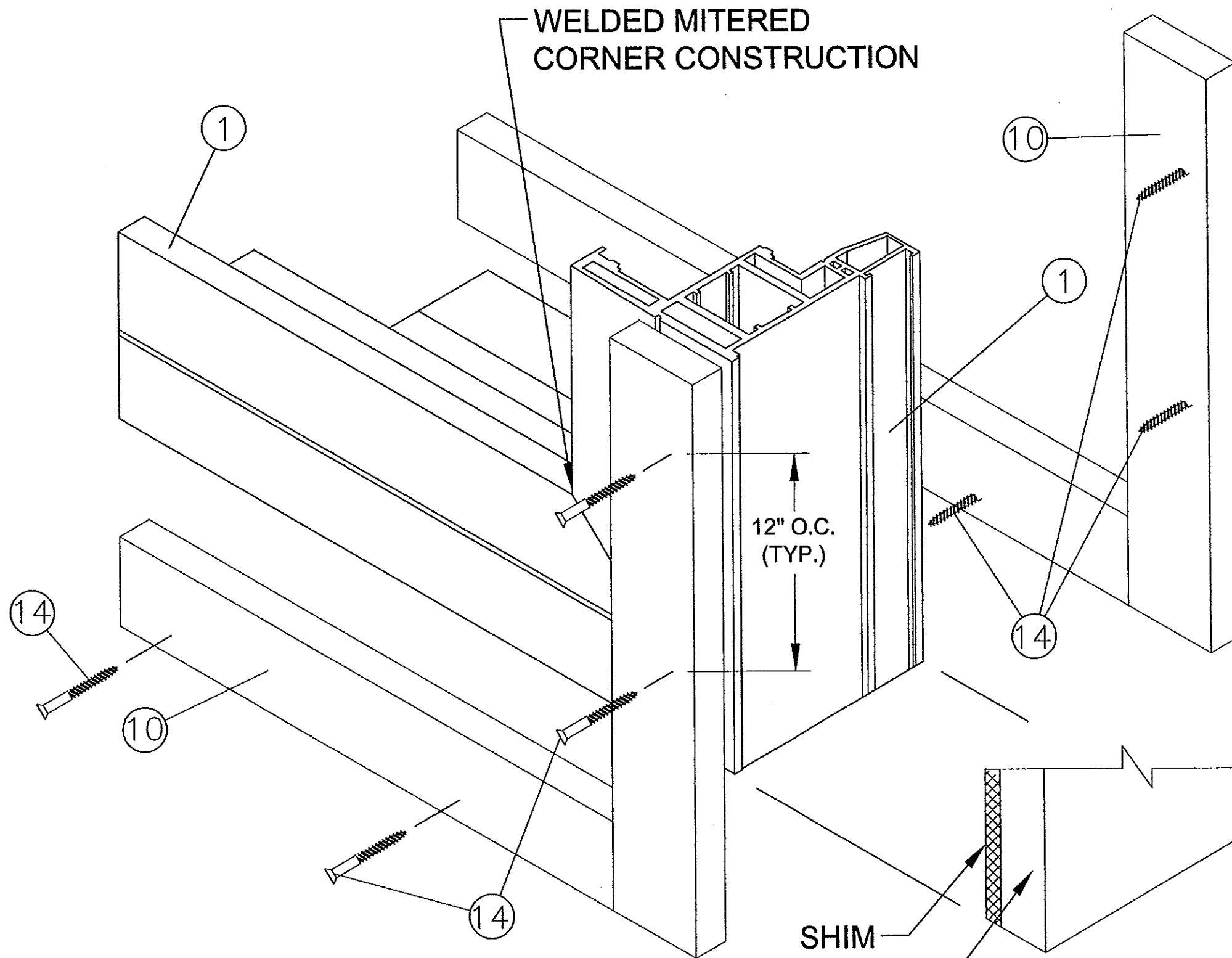


PROJECT #413-1019		RJA	TJH	TJH	BY
REVISE PVC MANUF. AND NOA NO.	12/7/13	02/07/12	11/21/11	DATE	
UPDATE TO 2010 FBC	D	C	REV	DESCRIPTION	
CORRECT GLAZING DETAILS					
REGENCY PLUS, INC. 1024 LOCUST GAP HIGHWAY MT. CARMEL, PA 17851	DRAWN BY: SMC	DATE: 11/26/08	DRAWING NO: RPLS0063	SHEET: 4 OF 6	REV: E
TITLE: IMPACT SERIES 5405 HORIZONTAL SLIDER WINDOW HORIZONTAL SECTIONS, GLAZING DETAIL & CORNER DETAIL	SCALE: N.T.S.	PTC Product Design Group, LLC PO Box 520775, Longwood, FL 32752-0775 321-690-1788 info@pdc-corp.com FBPE Cert. of Auth. No. 25935			

Robert J. Amoruso, P.E.
Florida P.E. No. 49752

PROFESSIONAL ENGINEER
STATE OF FLORIDA
LICENSE No 49752
12/7/13

PRODUCT REVISED as complying with the Florida Building Code
Acceptance No. 14-012206
Expiration Date: July 22, 2019
By: Manuel Perez
Miami Dade Product Control

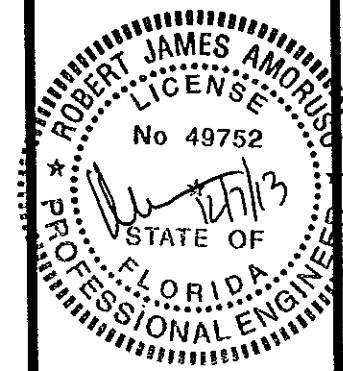


NOTE: CORNER DETAIL PARTING STOP EXTERIOR PERIMETER TO BE SEALED TO 1X PT WOOD BUCK WITH SIKA 551 SILICONE

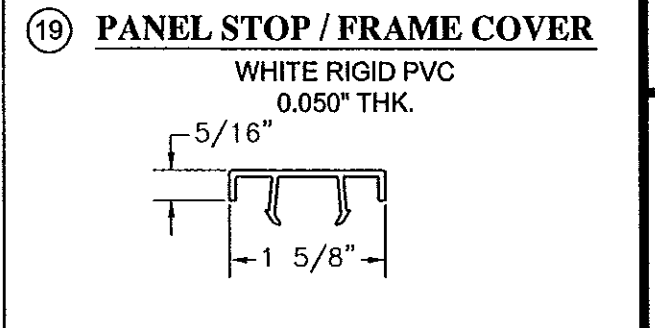
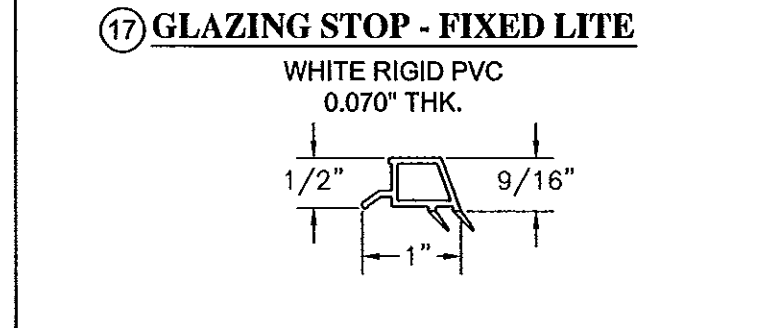
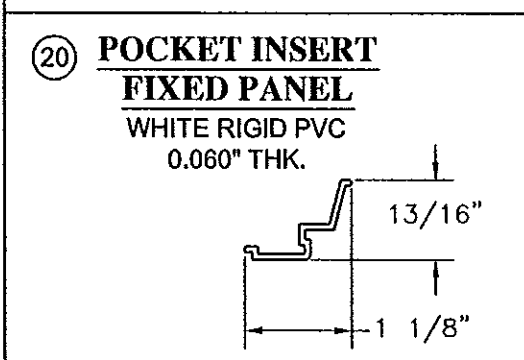
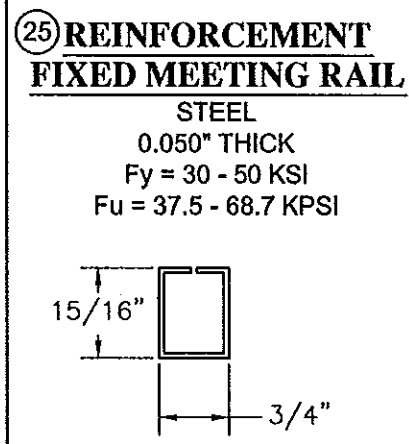
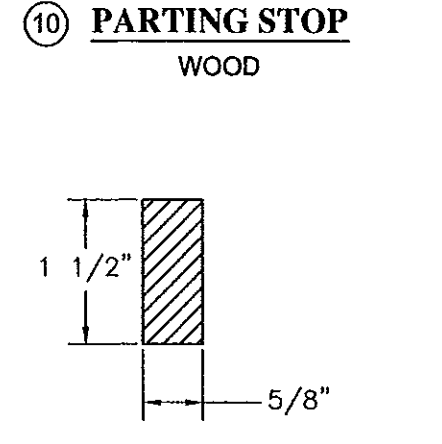
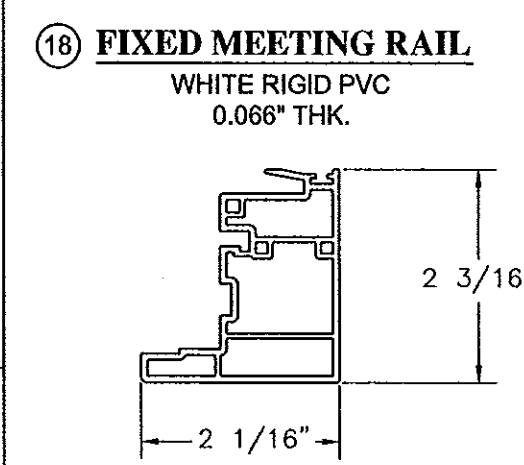
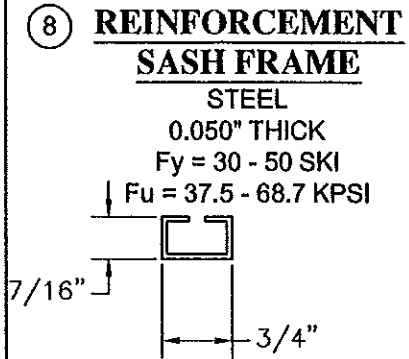
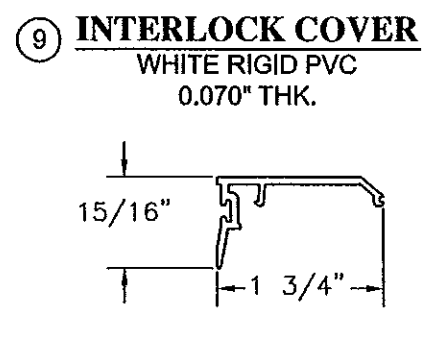
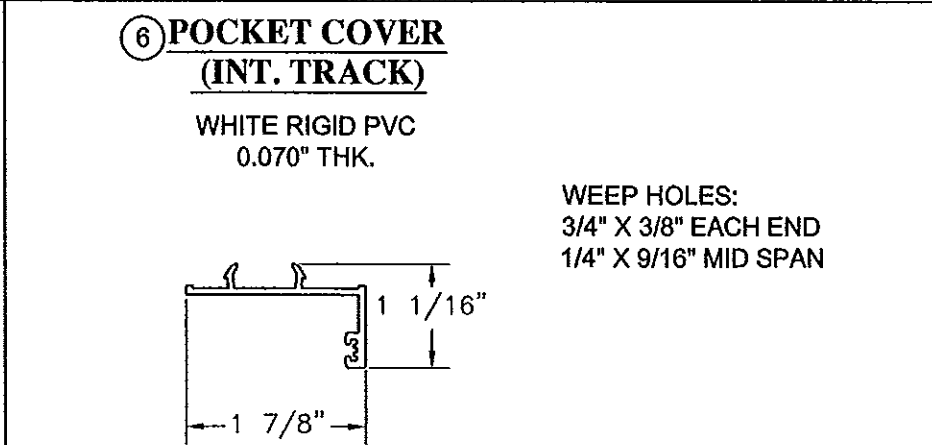
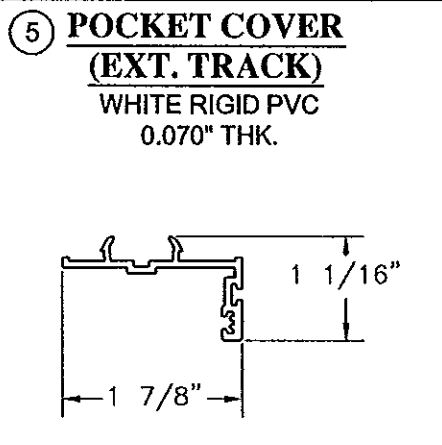
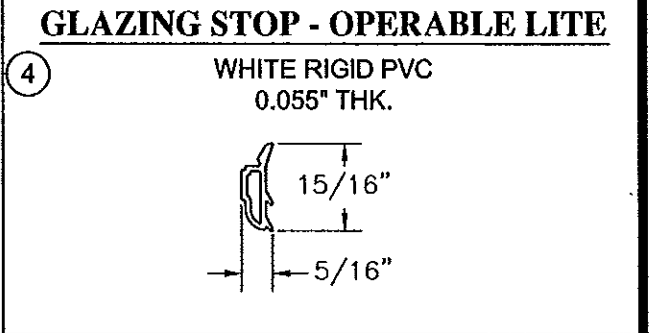
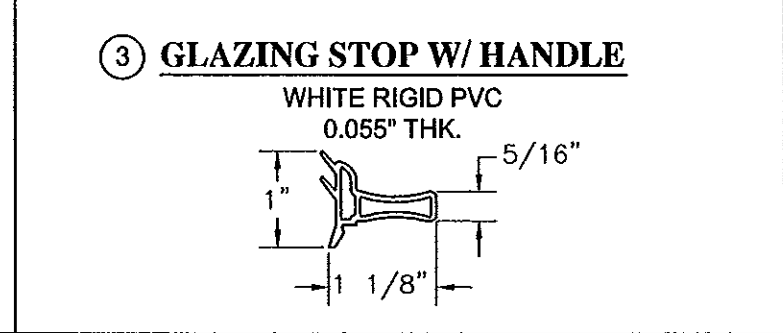
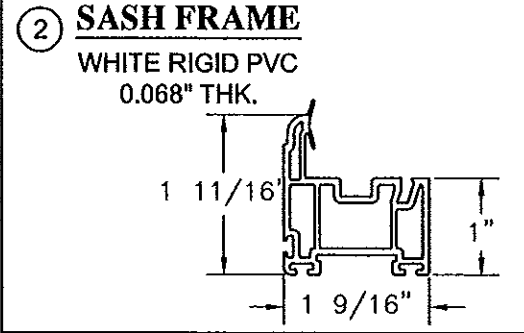
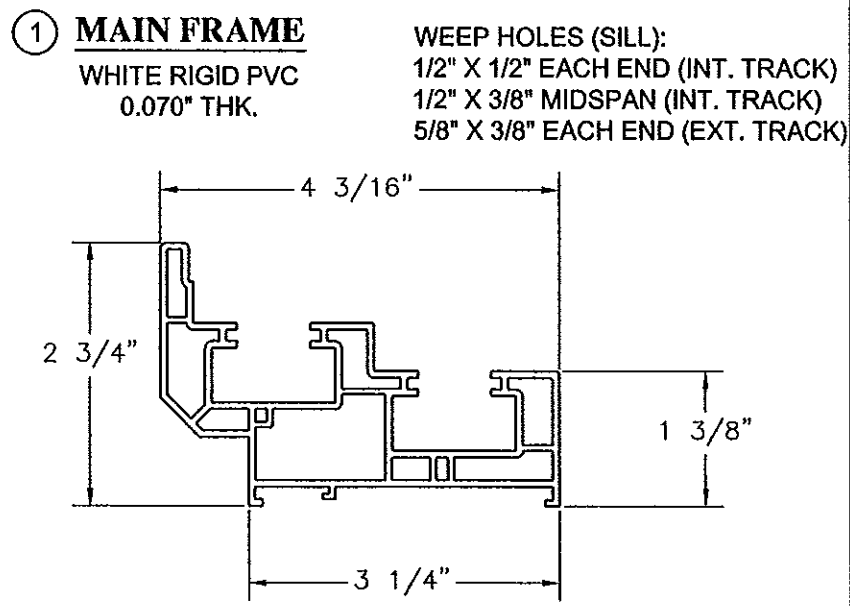
PROJECT #413-1019			
E	REVISE PVC MANUF. AND NOA NO.	12/7/13	RJA
D	UPDATE TO 2010 FBC	02/07/12	TJH
C	CORRECT GLAZING DETAILS	11/21/11	TJH
REV	DESCRIPTION	DATE	BY

REGENCY PLUS, INC. 1024 LOCUST GAP HIGHWAY MT. CARMEL, PA 17851		DATE: 11/26/08 DRAWING NO.: RPLS0063 SHEET: 5 OF 6
TITLE: IMPACT SERIES 5405 HORIZONTAL SLIDER WINDOW CORNER DETAIL		DRAWN BY: SMC SCALE: N.T.S. REV: E
PTC Product Design Group, LLC PO Box 520775, Longwood, FL 32752-0775 321-690-1788 info@ptc-corp.com FBPE Cert. of Auth. No. 25935		

Robert J. Amoruso, P.E.
Florida P.E. No. 49752



PRODUCT REVISED as complying with the Florida Building Code
 Acceptance No. 14-0128-06
 Expiration Date July 22, 2019
 By *[Signature]*
 Miami Dade Product Control



BILL OF MATERIALS

ITEM #	DESCRIPTION	MATERIAL	SUPPLIER
1	MAIN FRAME	WHITE RIGID PVC	** RWDP
2	SASH FRAME	WHITE RIGID PVC	** RWDP
3	GLAZING STOP WITH HANDLE	WHITE RIGID PVC	** RWDP
4	GLAZING STOP - OPERABLE LITE	WHITE RIGID PVC	** RWDP
5	POCKET COVER (EXT. TRACK)	WHITE RIGID PVC	** RWDP
6	POCKET COVER (INT. TRACK)	WHITE RIGID PVC	** RWDP
7	SASH COVER	WHITE RIGID PVC	** RWDP
8	REINFORCEMENT (SASH FRAME) 15 GA.	STEEL ALLOY 1008/1010*	REGENCY PLUS, INC.
9	INTERLOCK COVER	WHITE RIGID PVC	** RWDP
10	PARTING STOP	WOOD PT SYP	G=0.55 MIN.
11	CAM SWEEP LOCK & KEEPER	STEEL	TRUTH
12	#12 WOOD SCREW (INSTALLATION ANCHOR)	STEEL	----
13	1/4" TAPCON (INSTALLATION ANCHOR)	STEEL	ITW
14	#8 X 1 1/2" DRYWALL SCREW	STEEL	----
15	7/8" O.A. INSULATED GLASS (SEE GLAZING DETAIL ON SHEET 3)	GLASS	EDGESEAL
16	SIKA FLEX 552	SILICONE	SIKA
17	GLAZING STOP - FIXED LITE	WHITE RIGID PVC	** RWDP
18	FIXED MEETING RAIL	WHITE RIGID PVC	** RWDP
19	PANEL STOP / FRAME COVER	WHITE RIGID PVC	** RWDP
20	POCKET INSERT - FIXED PANEL	WHITE RIGID PVC	** RWDP
21	FINSEAL WEATHERSTRIP	VINYL	ULTRAFAB
22	NYLON HOUSED METAL ROLLERS	NYLON / STEEL	SAUNDERS ENG'G
23	TILT LATCH	----	VISION IND.
24	WEEP HOLE COVERS	PLASTIC	RO-MAI
25	REINFORCEMENT (FIXED MEETING RAIL) 15 GA.	STEEL ALLOY 1008/1010	REGENCY PLUS, INC.

*ASTM A-A1008A / A109

E ** RWDP: ROYAL WINDOWS AND DOOR PROFILES, PLANT NO. 13 (NOA NO. 12-1120.02).

PROJECT #413-1019

REVISE PVC MANUF. AND NOA NO.	12/7/13	RJA
UPDATE TO 2010 FBC	02/07/12	TJH
CORRECT GLAZING DETAILS	11/21/11	TJH
DESCRIPTION	DATE	BY
E	D	C
REV	REV	REV

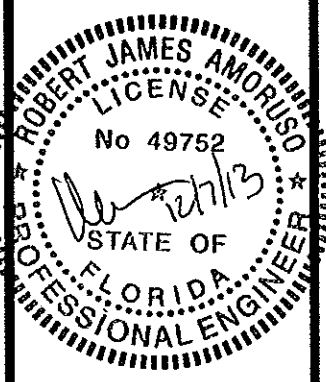
REGENCY PLUS, INC.
1024 LOCUST GAP HIGHWAY
MT. CARMEL, PA 17851

TITLE: IMPACT SERIES 5405 HORIZONTAL SLIDER WINDOW COMPONENTS AND BILL OF MATERIALS

DRAWN BY: SMC
DATE: 11/26/08
SCALE: N.T.S.
DRAWING NO: RPLS00063
SHEET: 6 OF 6

PTC Product Design Group, LLC
PO Box 520775, Longwood, FL 32752-0775
321-690-1788 info@pdc-corp.com
FBPE Cert. of Auth. No. 25935

Robert J. Amoruso, P.E.
Florida P.E. No. 49752



PRODUCT REVISED as complying with the Florida Building Code
Acceptance No 14-0128.06
Expiration Date July 27, 2019
By *Manuel Perez*
Miami Dade Product Control